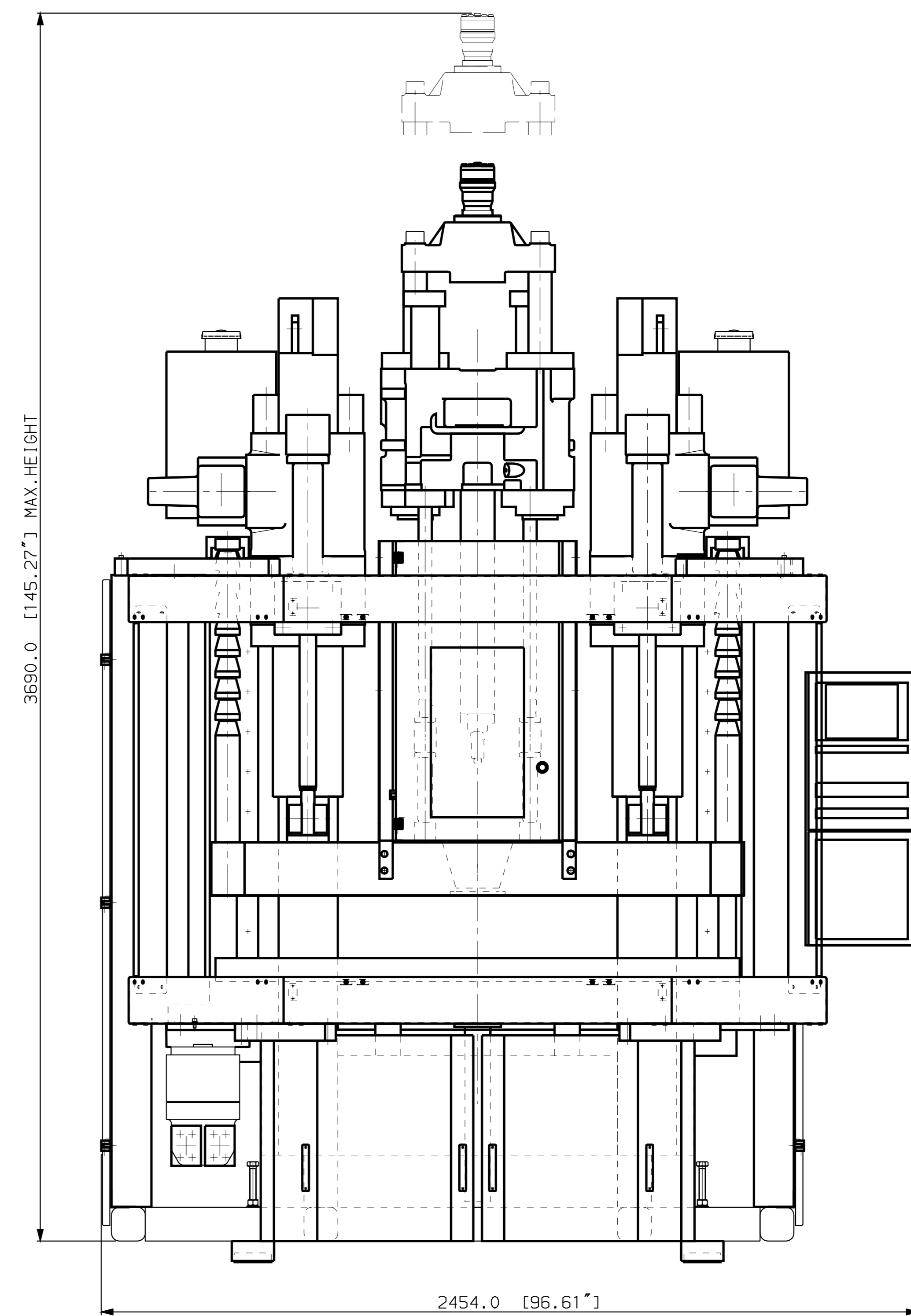
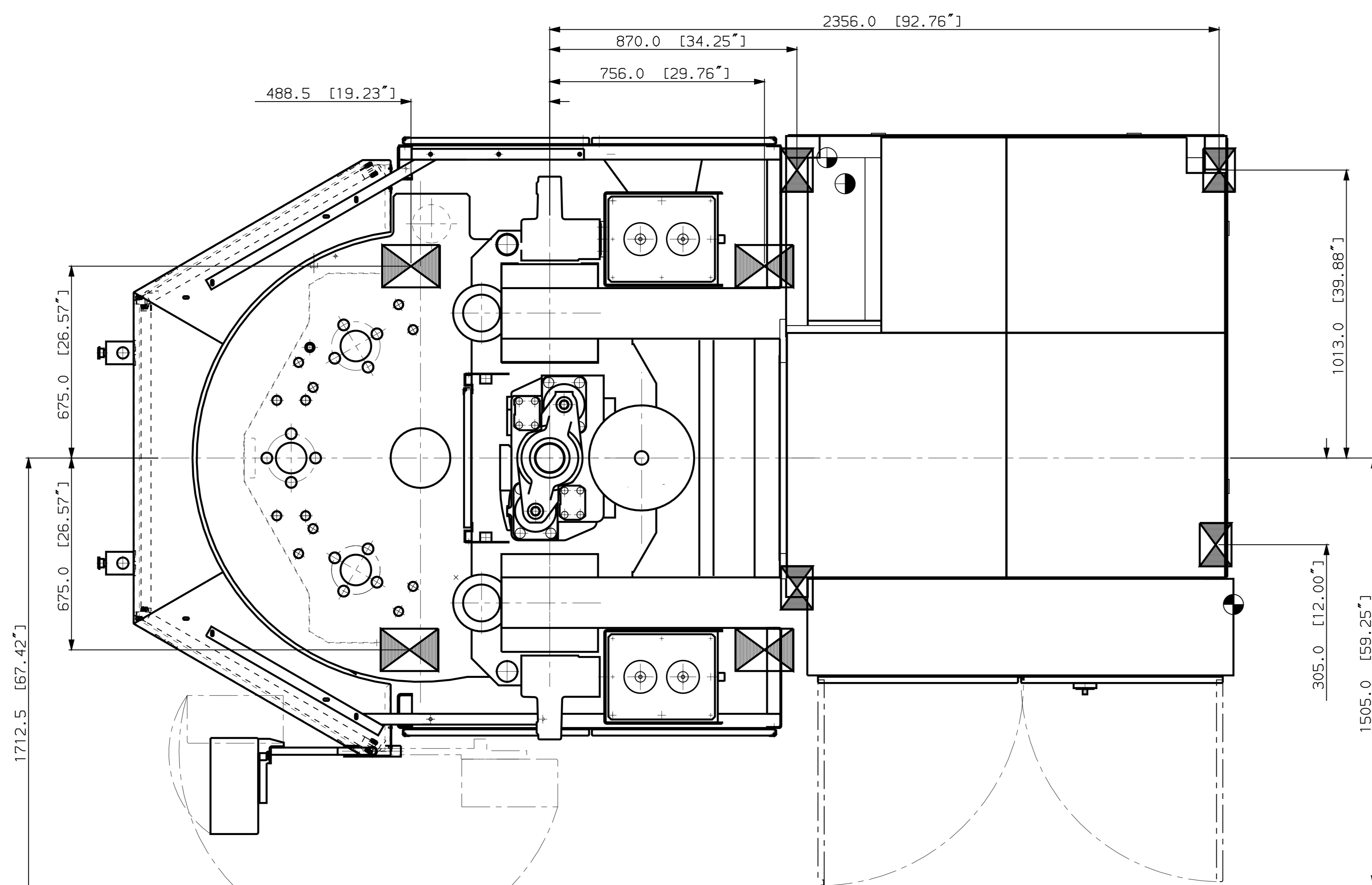


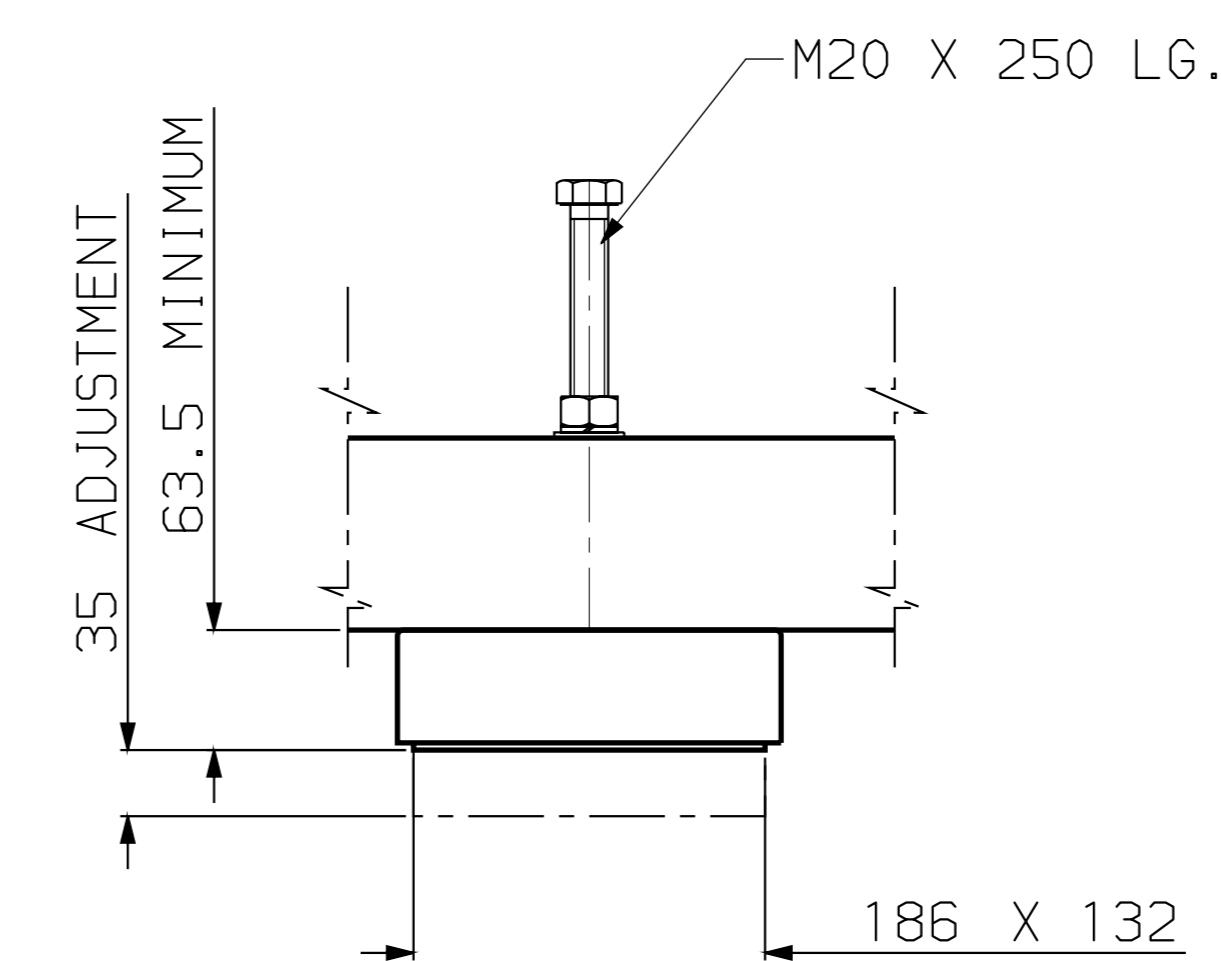
VIEW AT SIDE OF MACHINE EQUIPPED WITH LIGHT CURTAIN



VIEW AT FRONT OF MACHINE EQUIPPED WITH LIGHT CURTAIN

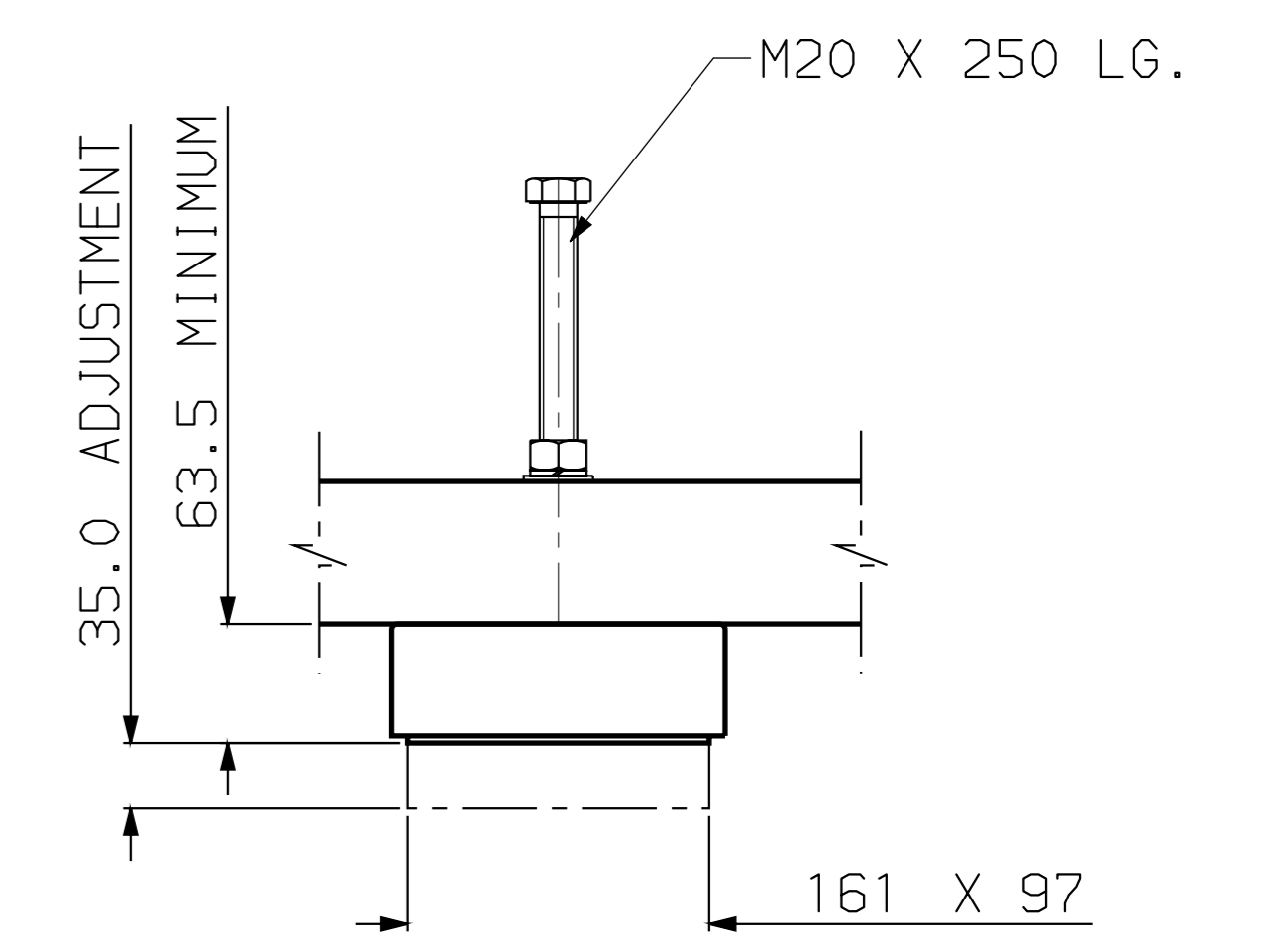


VIEW AT TOP OF MACHINE EQUIPPED WITH LIGHT CURTAIN



CLAMP BASE MACHINE MOUNT DETAIL

LOAD CAPACITY: 5442 Kg
SCALE 1:4



PUMP-MOTOR BASE MACHINE MOUNT DETAIL

LOAD CAPACITY: 2721 Kg
SCALE 1:4

- MACHINE MOUNT
- STD.ELE.UTILITY ENTRANCE
- AIR CONNECTION 1/4" NPT.
- COOLING WATER CONNECTION IN & OUT 1" NPT.

NOTES:

1) TECHNICAL DATA SUBJECT TO CHANGE WITHOUT NOTICE.

PART WEIGHT IN Kg.		9775.005.8067E	
-		1 of 1	

RELEASED
MICROFILM
REV. # 0

REV.	DATE	DESCRIPTION	BY	CHKD.
0	15-JUN-00	NEW	KWB	
1	15-JUN-00	REVISION		
SCALE DESCRIPTION: 1:10 MAIN DIMENSIONS ES330/150VVR0				
MATERIAL: -				
OUTDOOR CODE: -				
BREAK SHARP CORNERS: -				
SIZE	FROM	TO	REPLACES	COPY FROM
FINE #	0.05	0.1 0.15 0.2 0.3 0.5 0.8	0.8	0.8
MEDIUM #	0.1	0.2 0.3 0.5 0.8 1.2 2.0	2.0	2.0
COARSE #	0.2	0.5 0.8 1.2 2.0 3.0 4.0	4.0	4.0
DIM. MICR. METERS				
THIS DRAWING AND THE INFORMATION HEREIN IS CONFIDENTIAL AND MUST NOT BE REPRODUCED OR USED IN ANY WAY WITHOUT WRITTEN PERMISSION OF ENGEL CANADA INC.				
SHEET			1 of 1	