

**MACHINE MOUNT DETAIL (OPTIONAL)**  
 ▲ TYPIC IM51 (4 PLACES), MAXIMUM LOAD 1364 kg.  
 ▲ TYPIC IM61 (4 PLACES), MAXIMUM LOAD 2727 kg.  
 SCALE 1:2

**LEGEND**

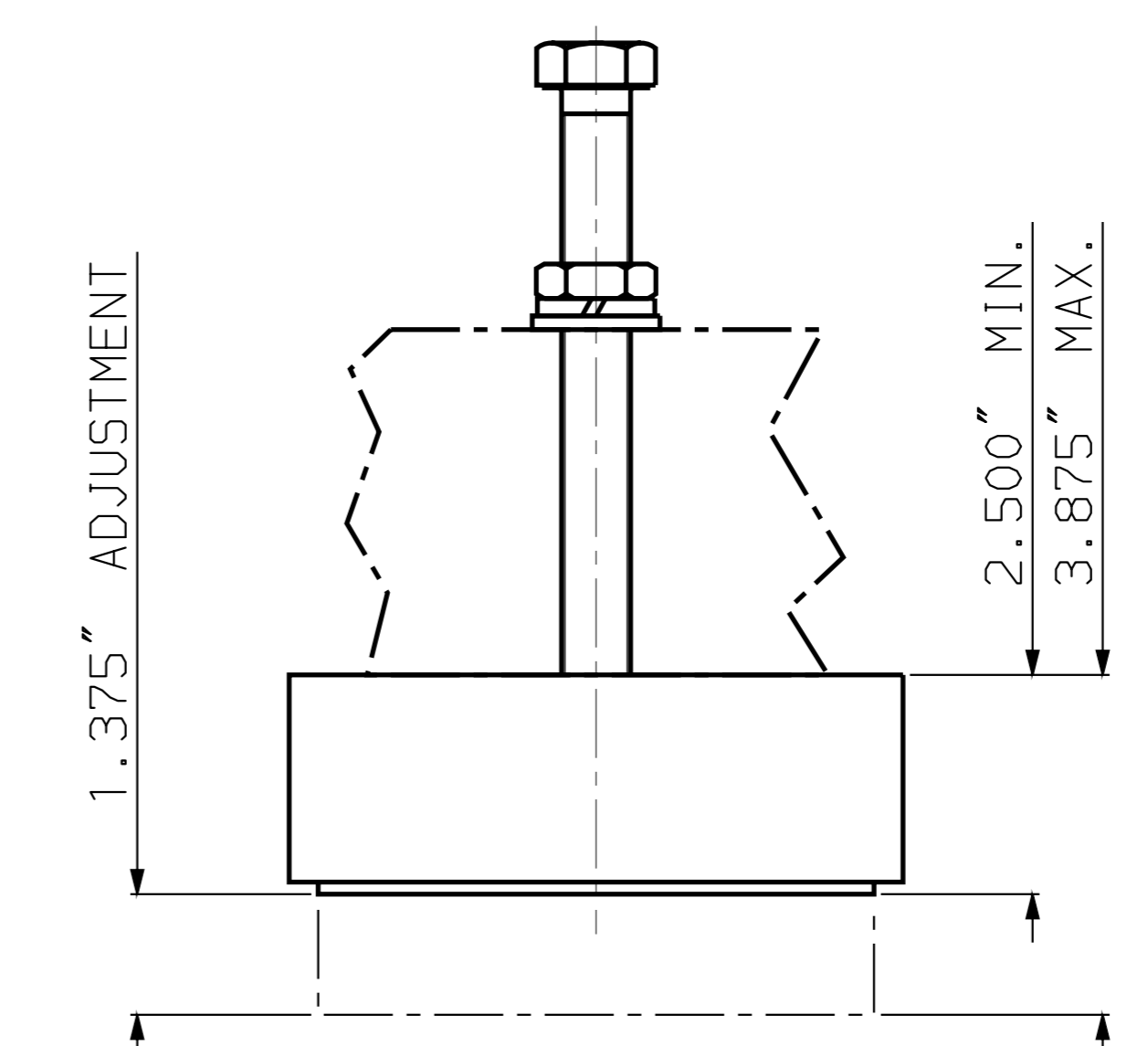
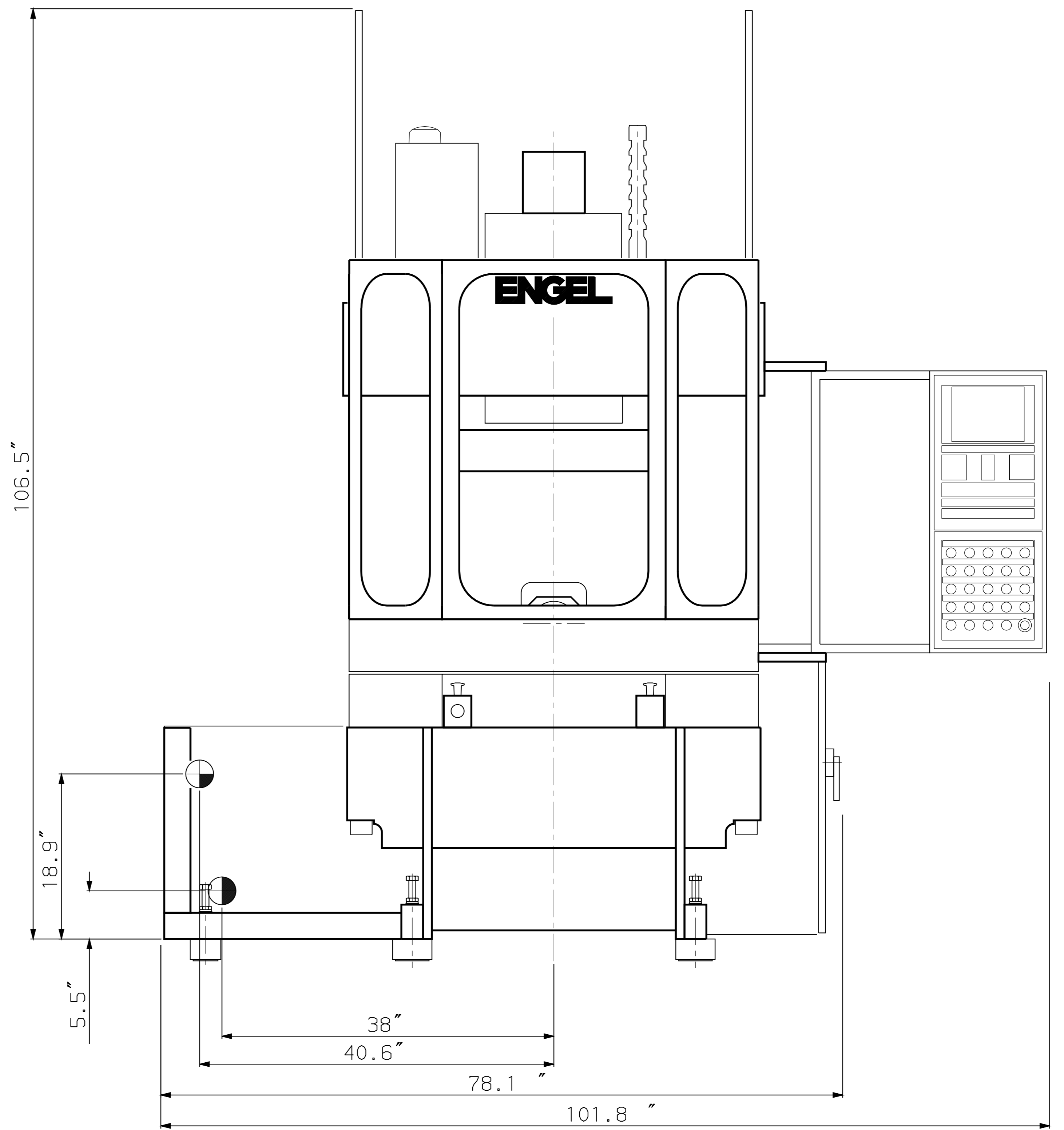
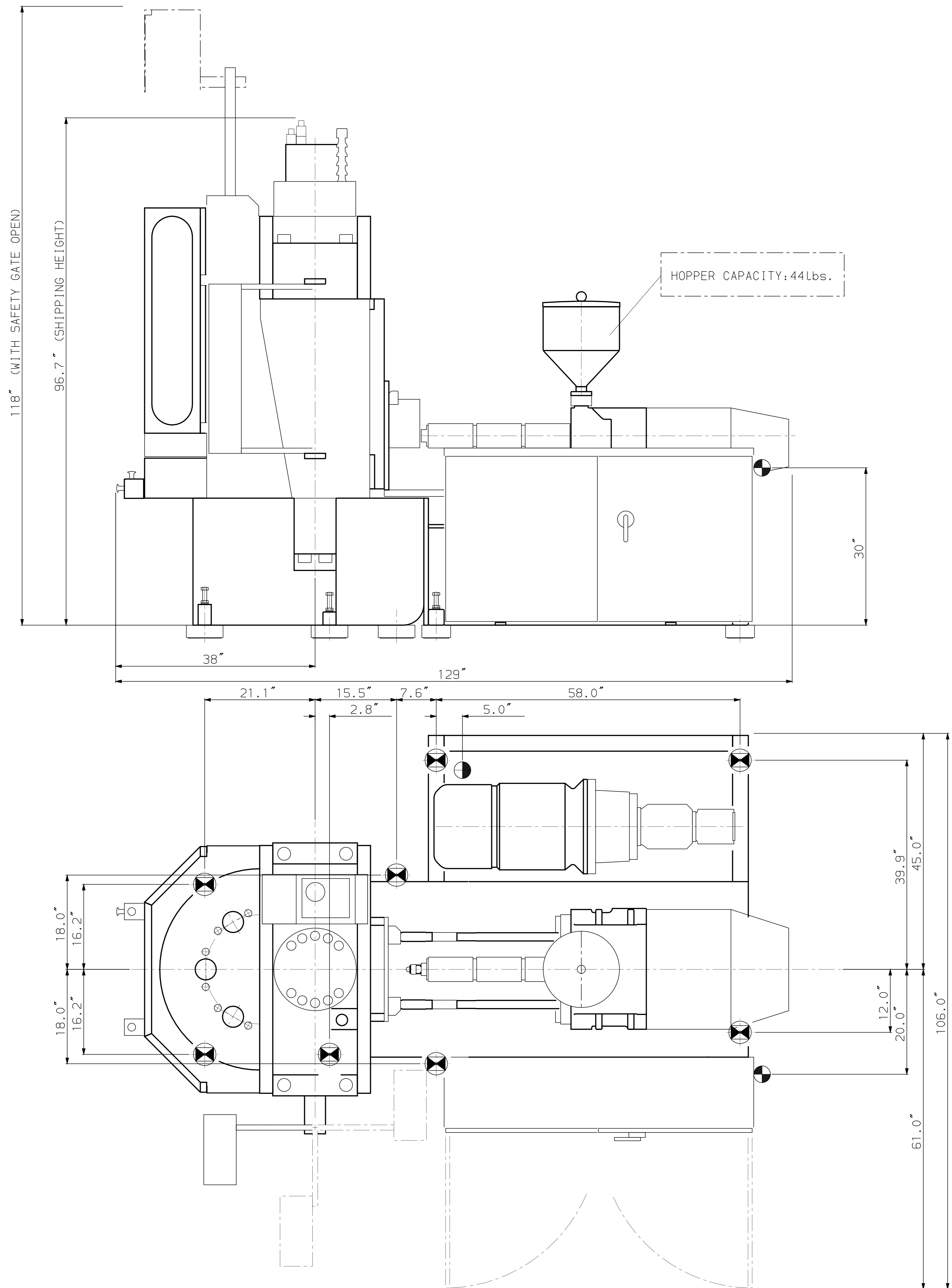
- MACHINE MOUNT
- STD.ELE.UTILITY ENTRANCE
- AIR CONN.-3/8" NPT.
- COOLING WATER CONN. IN & OUT 3/4" NPT

MODEL	WEIGHT IN kg.
ES55-85VHRB / 200 INJ.	6722
ES55-85VHRB / 330 INJ.	7503

**NOTES:**  
 1. ALL DIMENSIONS ARE IN MILLIMETERS UNLESS SPECIFIED OTHERWISE.  
 2. TECHNICAL DATA SUBJECT TO CHANGE WITHOUT NOTICE.

RELEASED  
 MICROFILM  
 REV. # 12

12	1480	MACHINE MOUNTS CHANGED.	05-NOV-99	T.S.
11	5371	GENERAL UPDATE.	22-MAR-98	B.H.
10	5700	NEW	22-MAR-98	TFC
REV#	EQM	REVISION	DATE	NAME
SCALE	DESCRIPTION	DRW. NO.	NAME	DATE
1: 8	MAIN DIMENSIONS			
	ES55-85VHRB / 330 INJ.UNIT			
MATERIAL		DRW. NO.	NAME	DATE
OUTLICK CODE				22 APR 1992
BREAK SHARP CORNERS				
SIZE	FROM 0.5 6 30 120 315 1000 2000	REPLACES		
	TO 8.0 30 120 315 1000 2000			
	FINE # 0.05 0.1 0.15 0.2 0.3 0.5 0.8 1.2	5785.005.6000E		
	MEDIUM # 0.1 0.2 0.3 0.5 0.8 1.2 2.0 3.0 4.0	DRWING NO.		
	COARSE # 0.2 0.5 0.8 1.2 2.0 3.0 4.0	5785.005.8916E		
THIS DRAWING AND THE INFORMATION HEREIN IS CONFIDENTIAL AND MUST NOT BE REPRODUCED OR USED IN ANY WAY WITHOUT WRITTEN PERMISSION OF ENGEL CANADA INC.				REV. #
				12
				1 of 2



**MACHINE MOUNT DETAIL (OPTIONAL)**  
 ▲ TYPIC IM51 (4 PLACES), MAXIMUM LOAD 3000 lb.  
 ▲ TYPIC IM61 (4 PLACES), MAXIMUM LOAD 6000 lb.  
 SCALE 1:2

**LEGEND**

- MACHINE MOUNT
- STD.ELE.UTILITY ENTRANCE
- AIR CONN.-3/8"NPT.
- COOLING WATER CONN. IN & OUT 3/4"NPT

MODEL	WEIGHT IN lbs.
ES55-85VHRB / 200 INJ.	14820
ES55-85VHRB / 330 INJ.	16540

**NOTES:**  
 1. ALL DIMENSIONS ARE IN INCHES UNLESS SPECIFIED OTHERWISE.  
 2. TECHNICAL DATA SUBJECT TO CHANGE WITHOUT NOTICE.

RELEASED  
 MICROFILM  
 REV. # 12

12	1480	MACHINE MOUNTS CHANGED.	05-NOV-99	T.S.											
11	5371	GENERAL UPDATE.	22-MAR-96	B.H.											
10	5700	NEW	22-MAR-96	TFC											
REV#	ECOM	REVISION	DATE	NAME											
SCALE	DESCRIPTION	<table border="1"> <tr> <td>1: 8</td> <td>MAIN DIMENSIONS</td> <td rowspan="2"> </td> </tr> <tr> <td></td> <td>ES55-85VHRB / 330 INJ.UNIT</td> </tr> </table>			1: 8	MAIN DIMENSIONS			ES55-85VHRB / 330 INJ.UNIT						
1: 8	MAIN DIMENSIONS														
	ES55-85VHRB / 330 INJ.UNIT														
MATERIAL	NAME	DATE													
OUTDCK CODE	DR. N.	TFC	22 APR 1992												
BREAK SHARP CORNERS															
SIZE	FROM	TO	REPLACES	COPY FROM											
FINE #	0.05	0.1	0.15	0.2	0.3	0.5	0.8	1.2	2.0	3.0	4.0	DRKTING NO.			
MEDIUM #	0.1	0.2	0.3	0.5	0.8	1.2	2.0	3.0	4.0	5785.005.8916E					
COARSE #	0.2	0.5	0.8	1.2	2.0	3.0	4.0								
THIS DRAWING AND THE INFORMATION HEREIN IS CONFIDENTIAL AND MUST NOT BE REPRODUCED OR USED IN ANY WAY WITHOUT WRITTEN PERMISSION OF ENGEL CANADA INC.															
										SHEET	2	OF	2	REV.	12