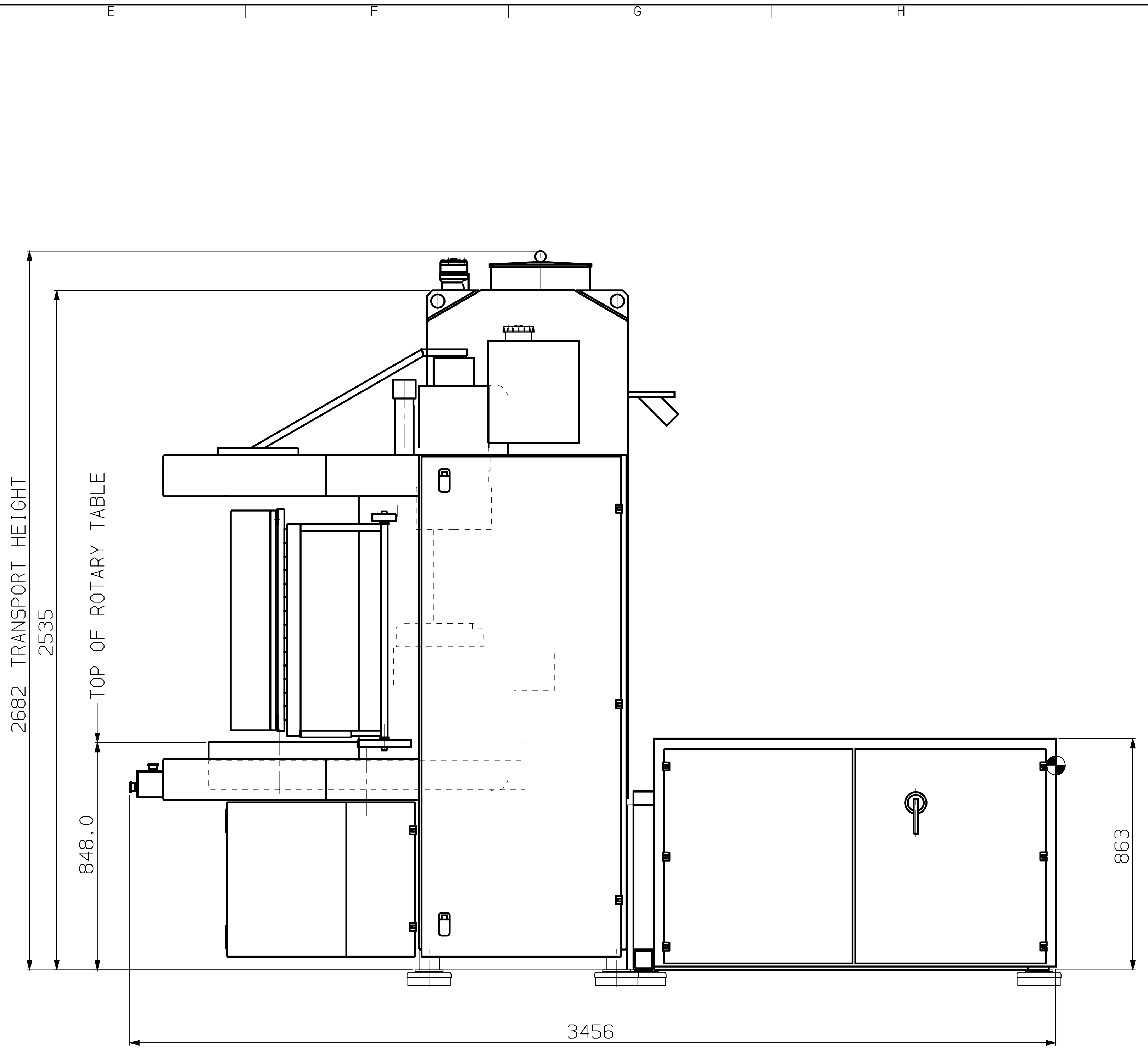
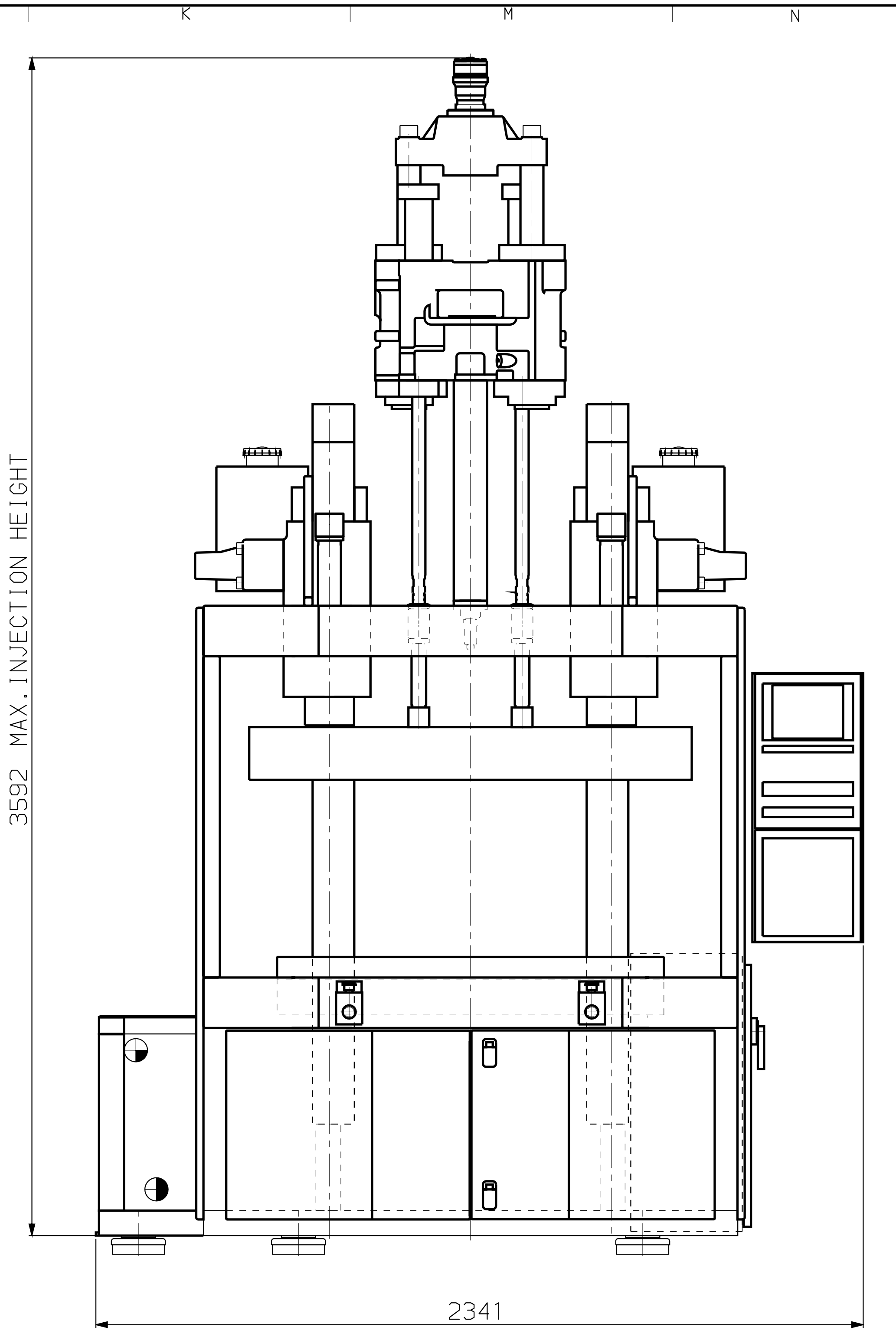


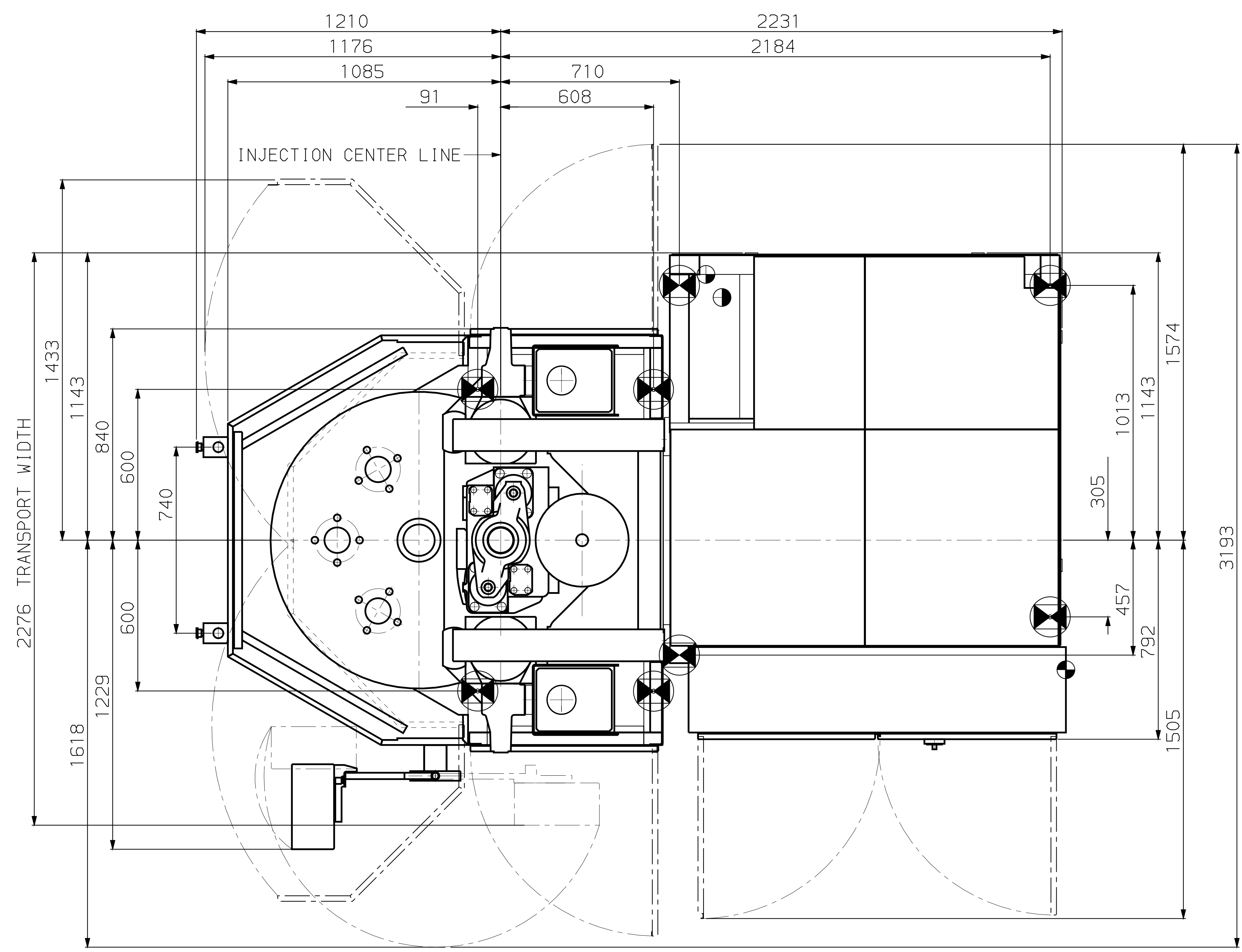
VIEW AT SIDE OF MACHINE EQUIPPED WITH PNEUMATIC GATE



VIEW AT SIDE OF MACHINE EQUIPPED WITH LIGHT CURTAIN



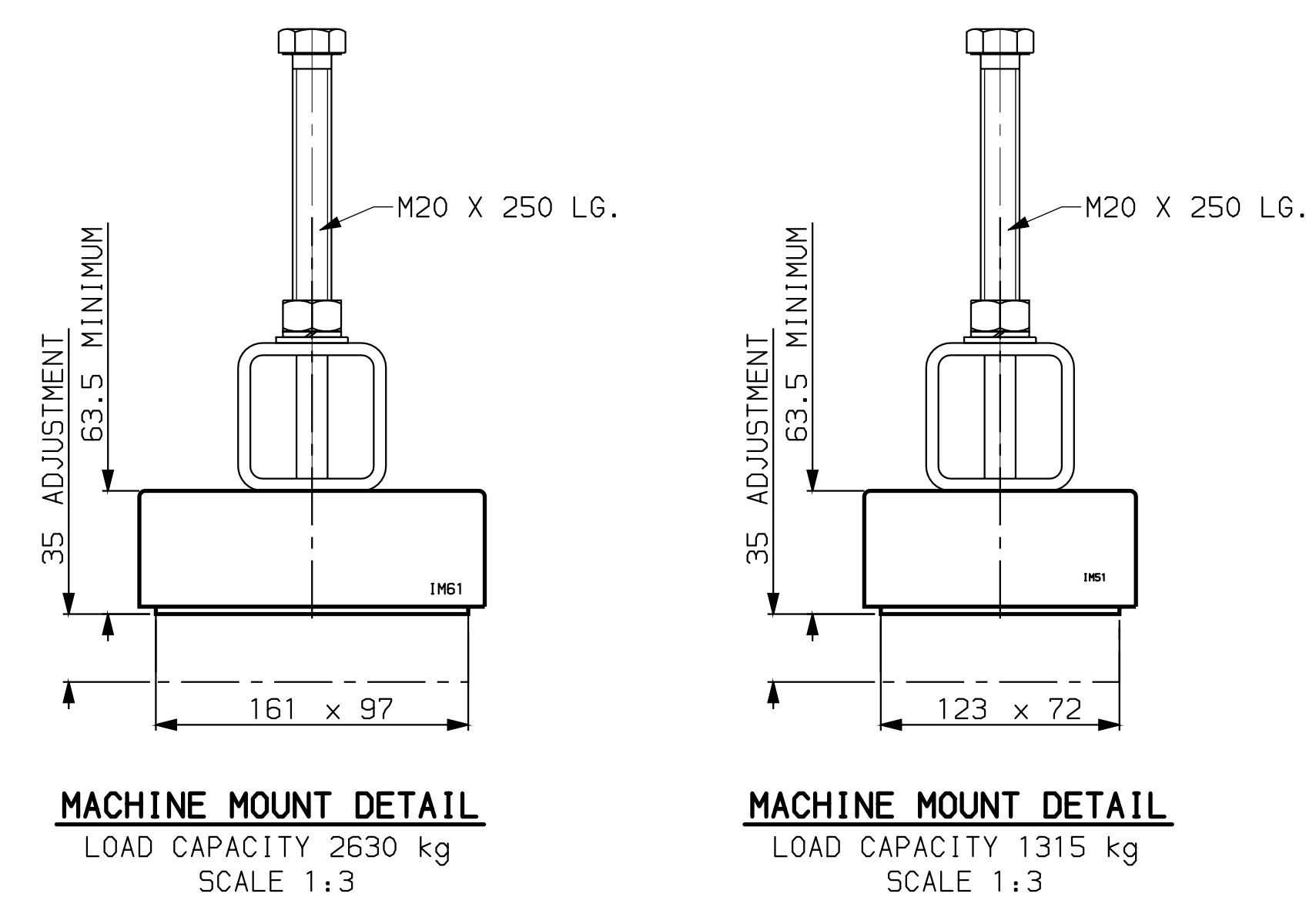
VIEW AT FRONT OF MACHINE EQUIPPED WITH LIGHT CURTAIN



VIEW AT TOP OF MACHINE EQUIPPED WITH LIGHT CURTAIN

- MACHINE MOUNT
- STD.ELE.UTILITY ENTRANCE
- AIR CONNECTION 1/4"NPT.
- COOLING WATER CONNECTION IN & OUT 1"NPT.

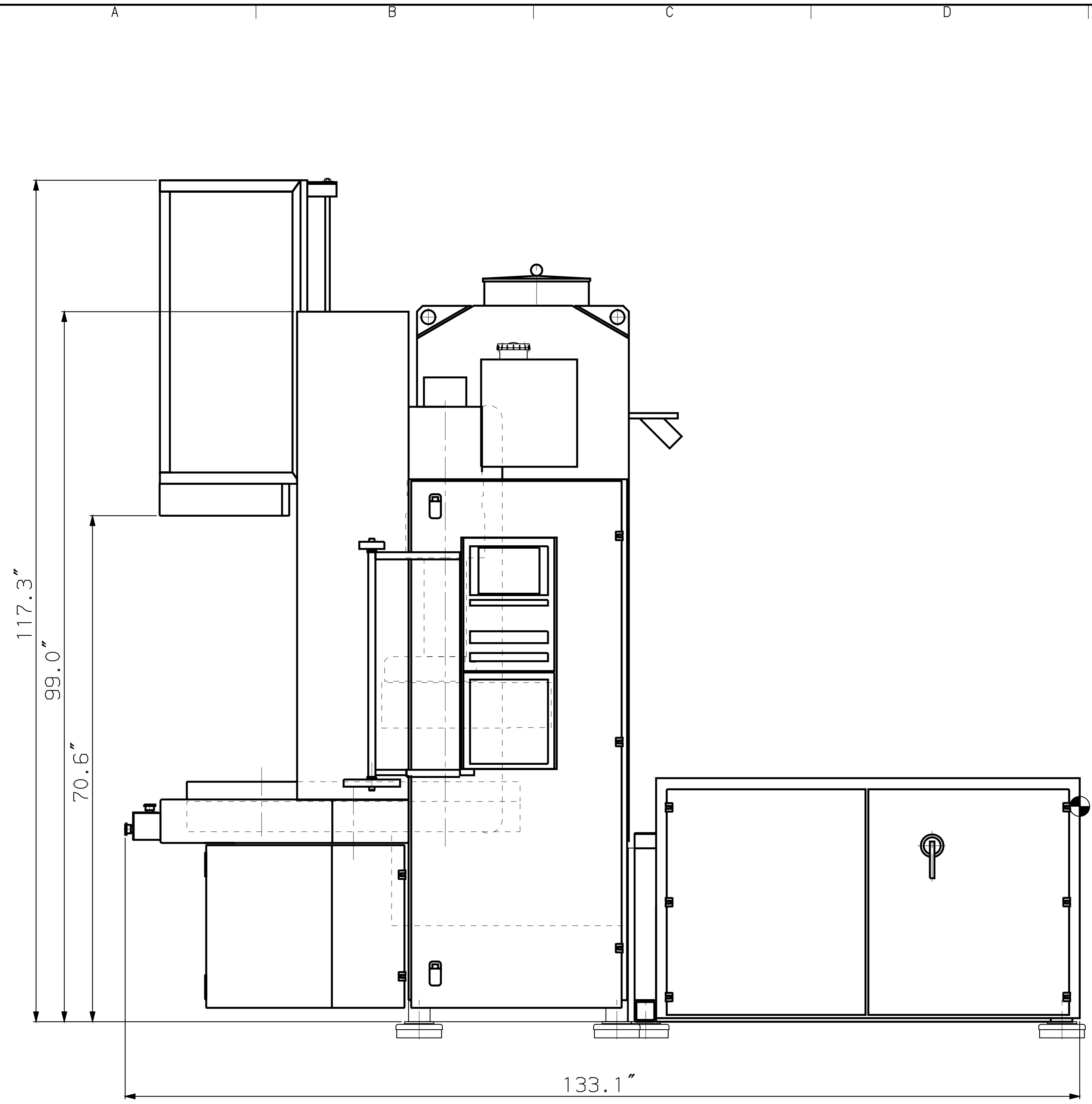
NOTES:
 1) DIMENSIONS ARE IN MILLIMETERS.
 2) TECHNICAL DATA SUBJECT TO CHANGE WITHOUT NOTICE.



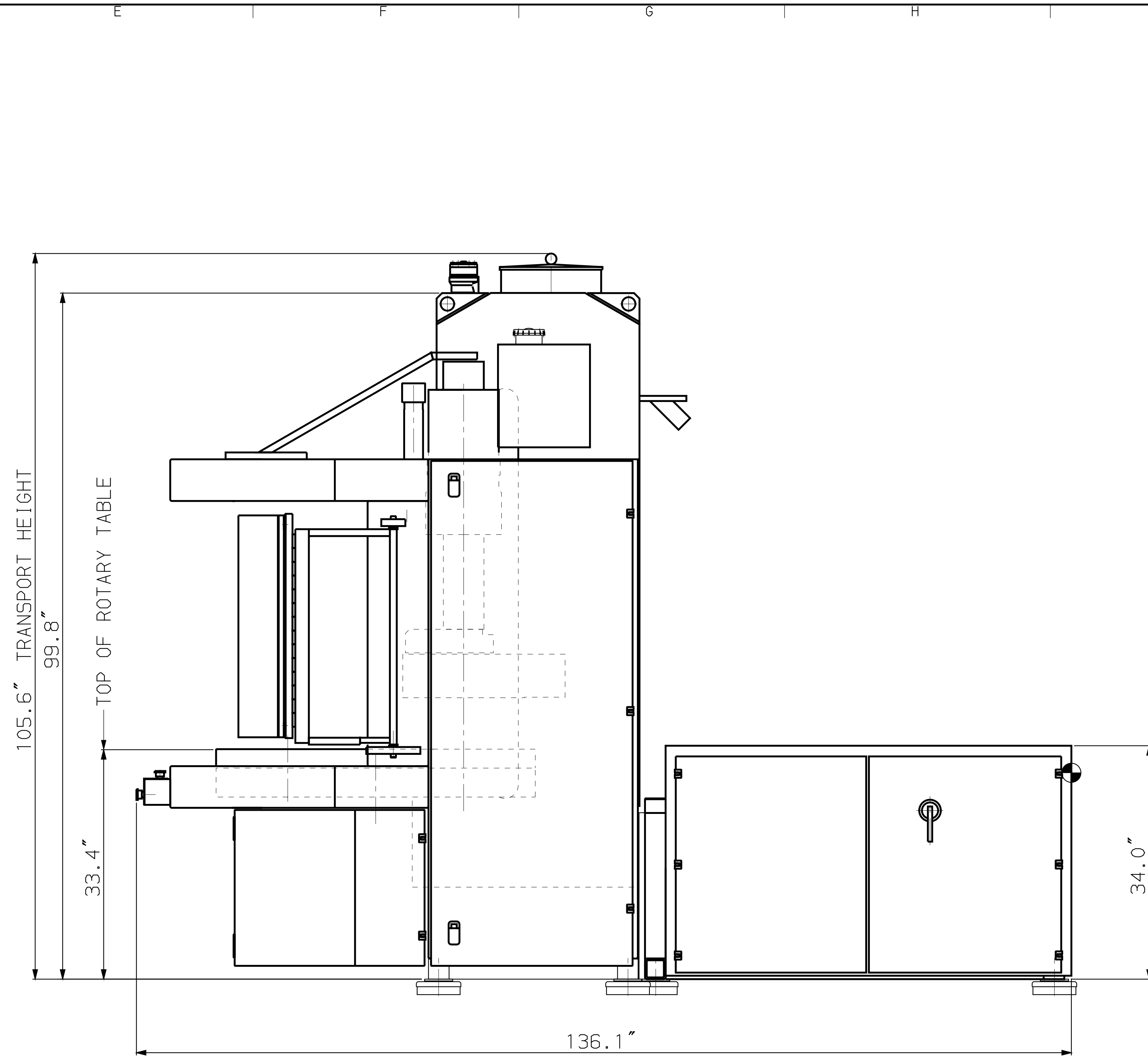
RELEASED
 MICROFILM
 REV. # 12

APPROX. 7700

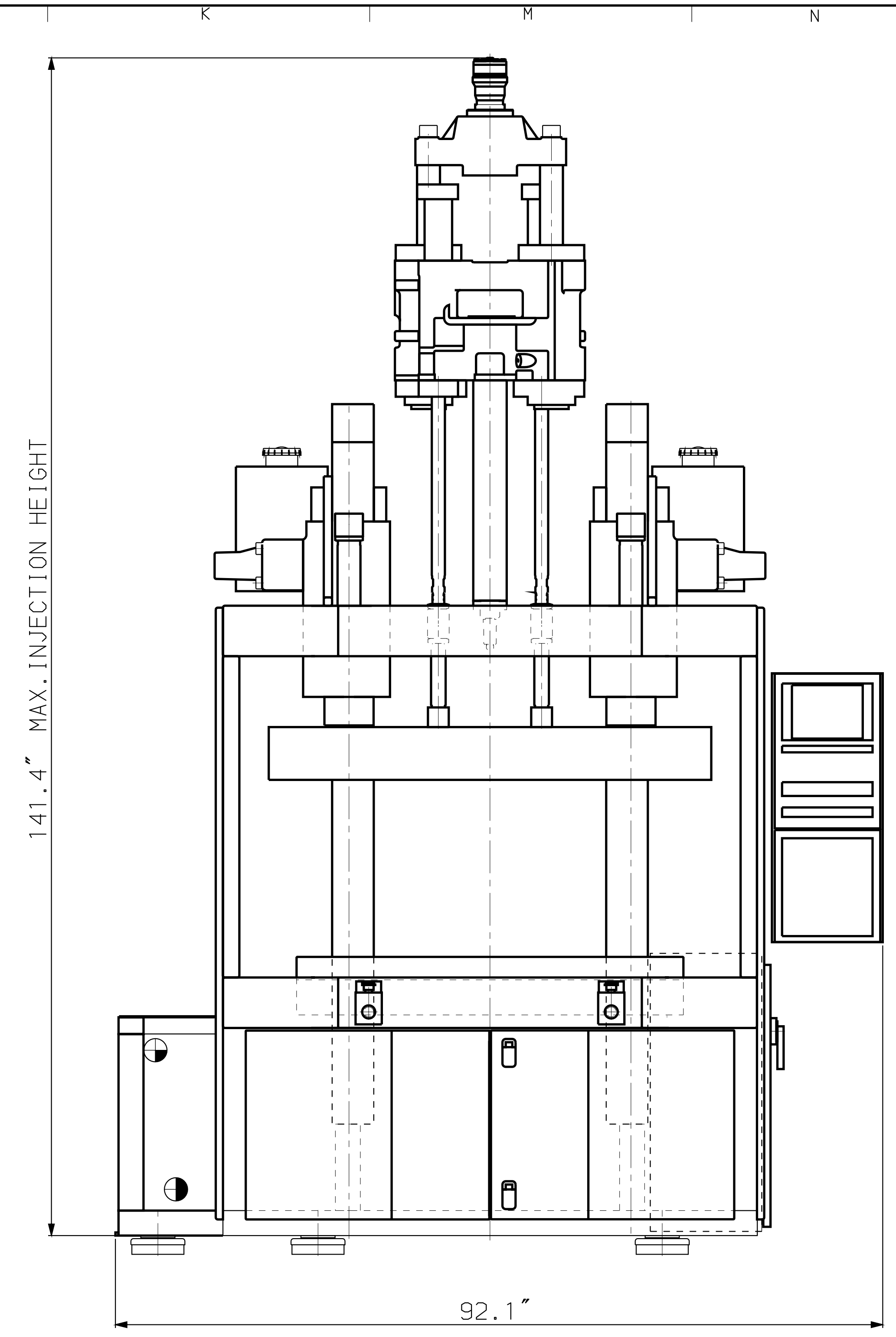
12	2-2778	7700 KG WAS 5300 KG	05-MAR-02	CALIN P.
11	2-1852	MACHINE MTS. UPDATED	07-APR-01	KBE
10	NEW		26-DEC-97	KEARNEY
REV#	EQ#	REVISION	DATE	NAME
SCALE	DESCRIPTION	REVISION		
1: 10	MAIN DIMENSIONS	ENGEL		
	ES090VVR/330 INJ.	GUELPH - CANADA		
MATERIAL		DRW. NO.	NAME	DATE
STOCK CODE #		06-01	KEARNEY	26-OCT-97
BREAK SHARP CORNERS		COR. D1		26-OCT-97
FROM	0.5	6	30	120
TO	12	4.0	30	315
SIZE	1000	2000		
REPLACES				
COPY FROM	7652,005,8050E	REV. 11		
FINE #	0.05	0.1	0.15	0.2
MEDIUM #	0.1	0.2	0.3	0.5
COARSE #	0.2	0.5	0.8	1.2
TO, IN				
METERS				
DIM.				
PART WEIGHT IN Kg.				
APPROX. 7700				
THIS DRAWING AND THE INFORMATION HEREIN IS CONFIDENTIAL AND MUST NOT BE REPRODUCED OR USED IN ANY WAY WITHOUT WRITTEN PERMISSION OF ENGEL CANADA INC.		DRAWING NO. 9090.005.2399E		
		SHEET 1 of 2		
		REV. # 12		



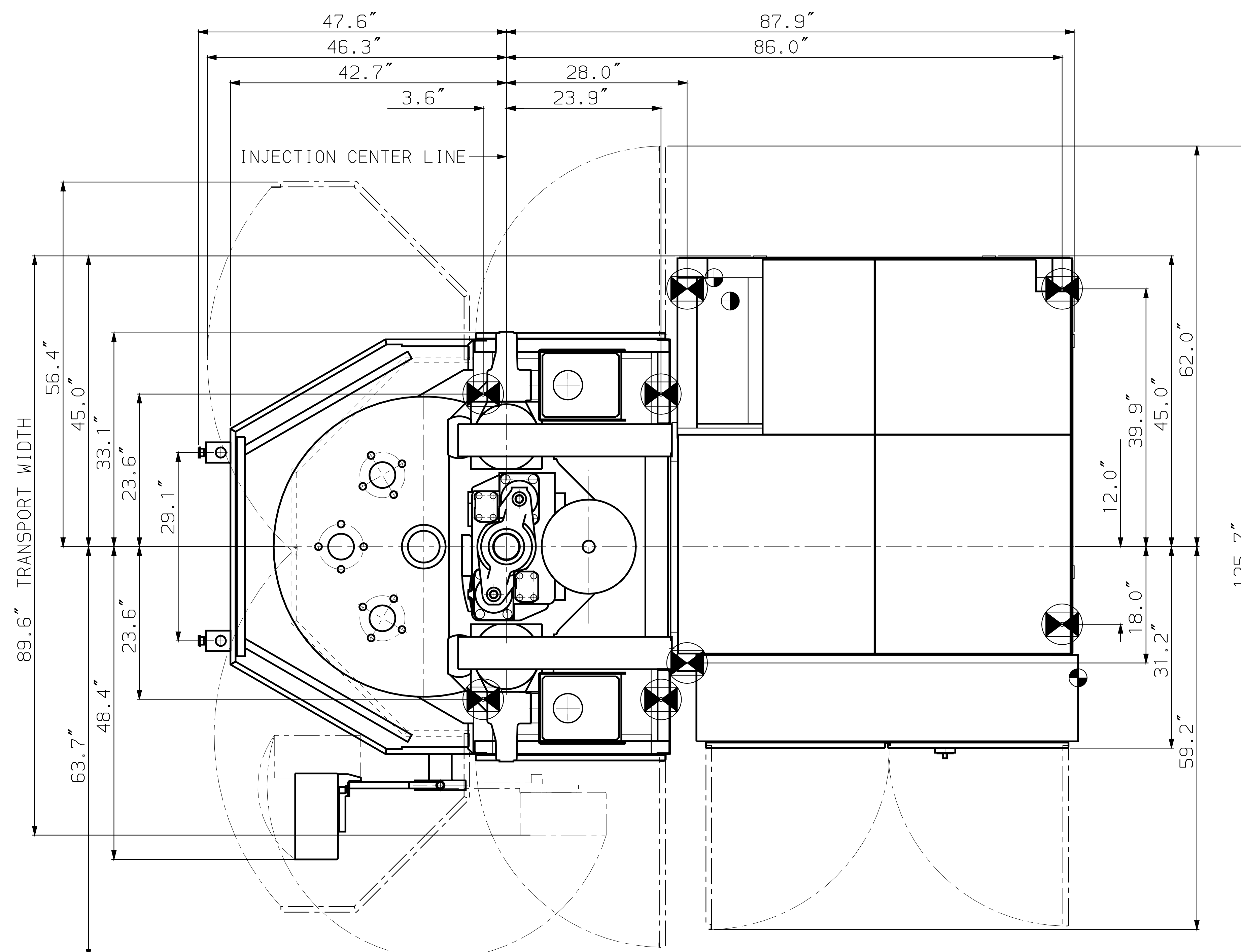
VIEW AT SIDE OF MACHINE EQUIPPED WITH PNEUMATIC GATE



VIEW AT SIDE OF MACHINE EQUIPPED WITH LIGHT CURTAIN



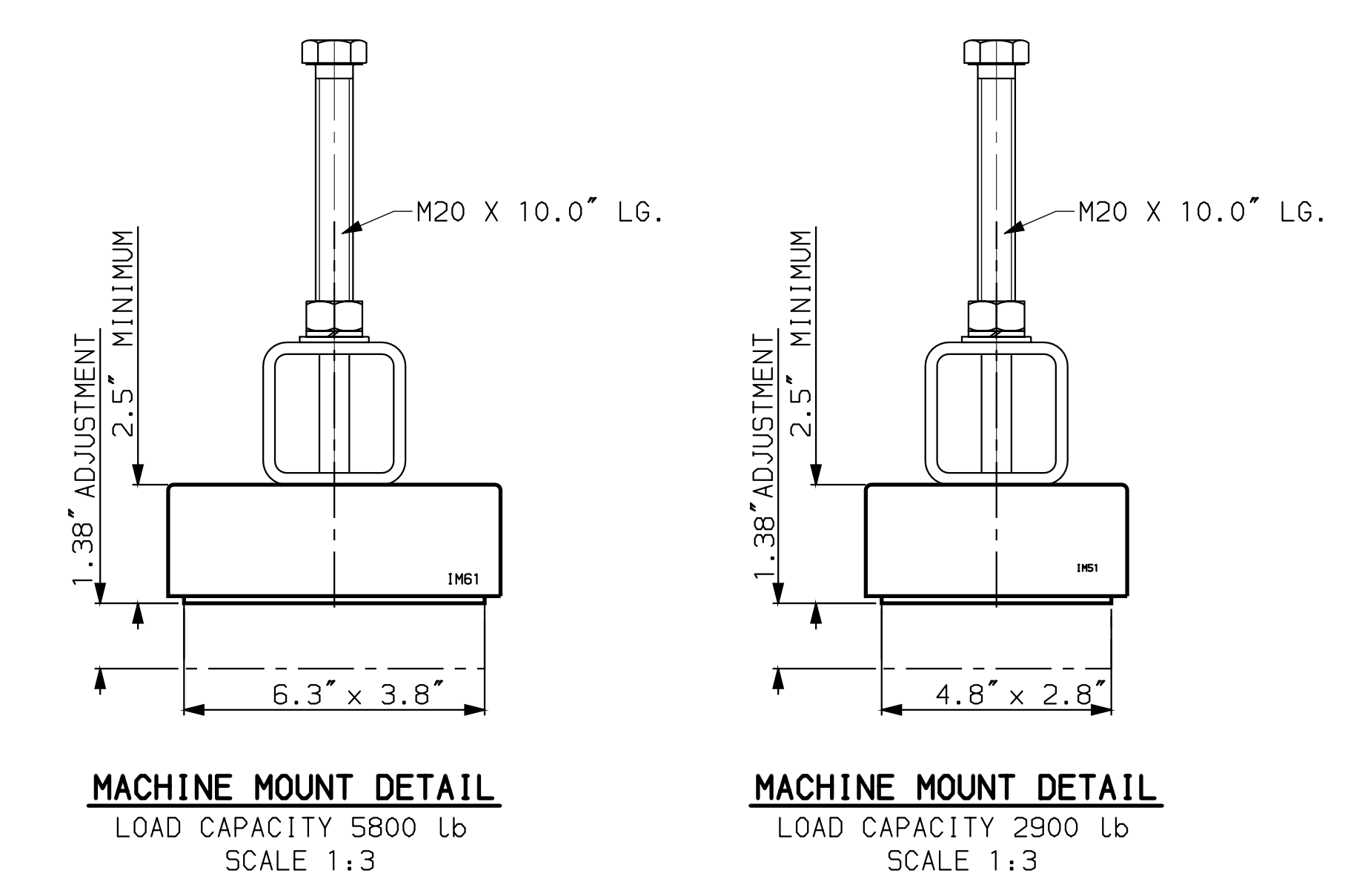
VIEW AT FRONT OF MACHINE EQUIPPED WITH LIGHT CURTAIN



VIEW AT TOP OF MACHINE EQUIPPED WITH LIGHT CURTAIN

- MACHINE MOUNT
- STD.ELE.UTILITY ENTRANCE
- AIR CONNECTION 1/4"NPT.
- COOLING WATER CONNECTION IN & OUT 1"NPT.

- NOTES:**
- 1) DIMENSIONS ARE IN INCHES.
 - 2) TECHNICAL DATA SUBJECT TO CHANGE WITHOUT NOTICE.



MACHINE MOUNT DETAIL
LOAD CAPACITY 5800 Lb
SCALE 1:3

MACHINE MOUNT DETAIL
LOAD CAPACITY 2900 Lb
SCALE 1:3

RELEASED
MICROFILM
REV. # 12

APPROX. 7700

12	2-27783	7700 KG WAS 5300 KG	05-MAR-02	CALIN P.
11	2-18552	MACHINE MTS UPDATED	07-APR-01	KBE
10	10	NEW	25-OCT-97	KEARNEY
REV#	EQ#	REVISION	DATE	NAME
SCALE	DESCRIPTION			
1:10	MAIN DIMENSIONS E5090VVR/330 INJ.	GUELPH - CANADA		
MATERIAL	NAME	DATE		
STOCK CODE #	DR-N	KEARNEY	25-OCT-97	
BREAK SHARP CORNERS	FORM D1	1-KEP	25-OCT-97	
FROM	0.5	6	30	120
SIZE	12	4.0	30	315
		1000	2000	
FINE #	0.05	0.1	0.15	0.2
		0.3	0.5	0.8
		1.2	2.0	3.0
MEDIUM #	0.1	0.2	0.3	0.5
		0.8	1.2	2.0
		3.0	4.0	
COARSE #	0.2	0.5	0.8	1.2
		2.0	3.0	4.0
DIM.	PART WEIGHT IN Kg.		DRAWING NO.	
	APPROX. 7700		9090.005.2399E	
THIS DRAWING AND THE INFORMATION HEREIN IS CONFIDENTIAL AND MUST NOT BE REPRODUCED OR USED IN ANY WAY WITHOUT WRITTEN PERMISSION OF ENGEL CANADA INC.			SHEET 2 OF 2	